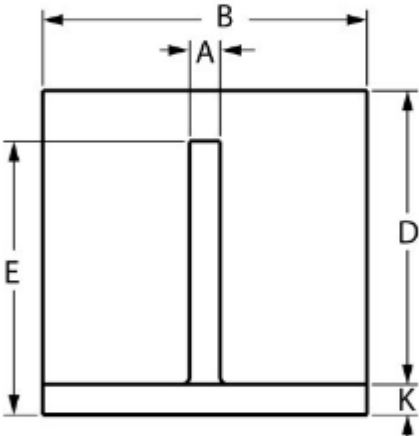
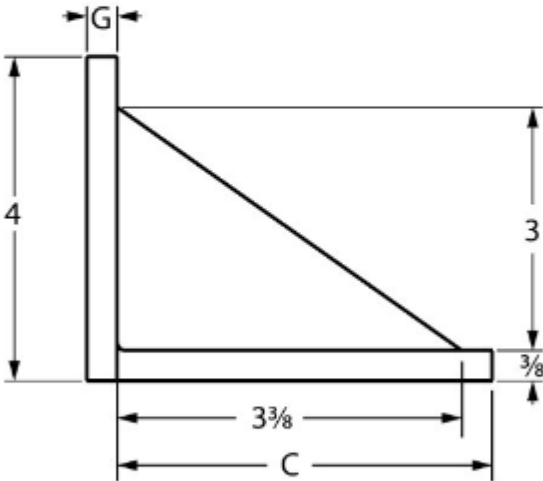
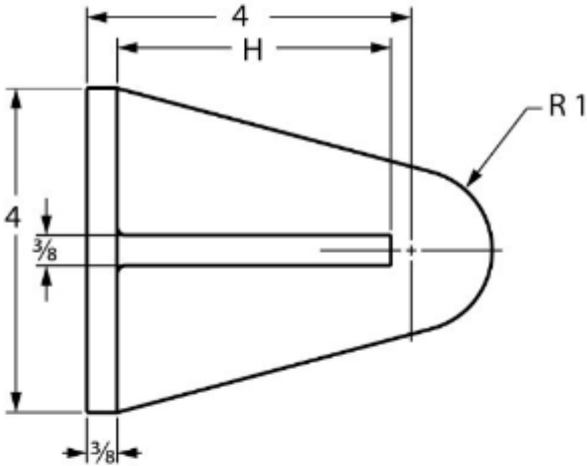


Study the print below and fill in the related dimensions.



A = _____

E = _____

B = _____

G = _____

C = _____

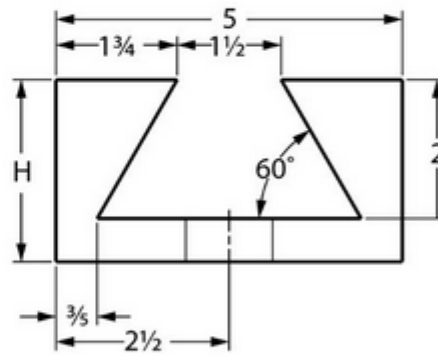
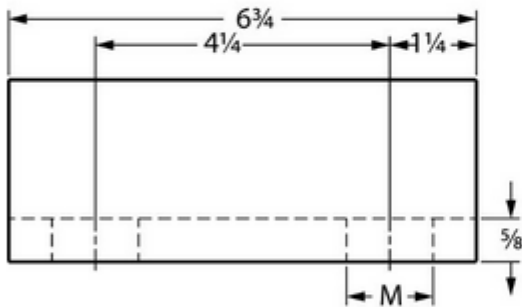
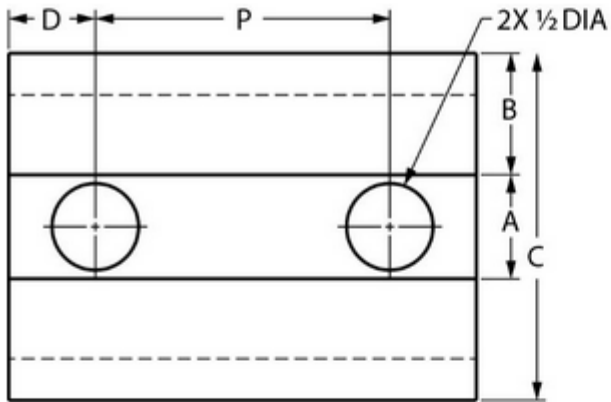
H = _____

D = _____

K = _____

Exercise 2

Study the print below and fill in the related dimensions.



A = _____

H = _____

B = _____

K = _____

C = _____

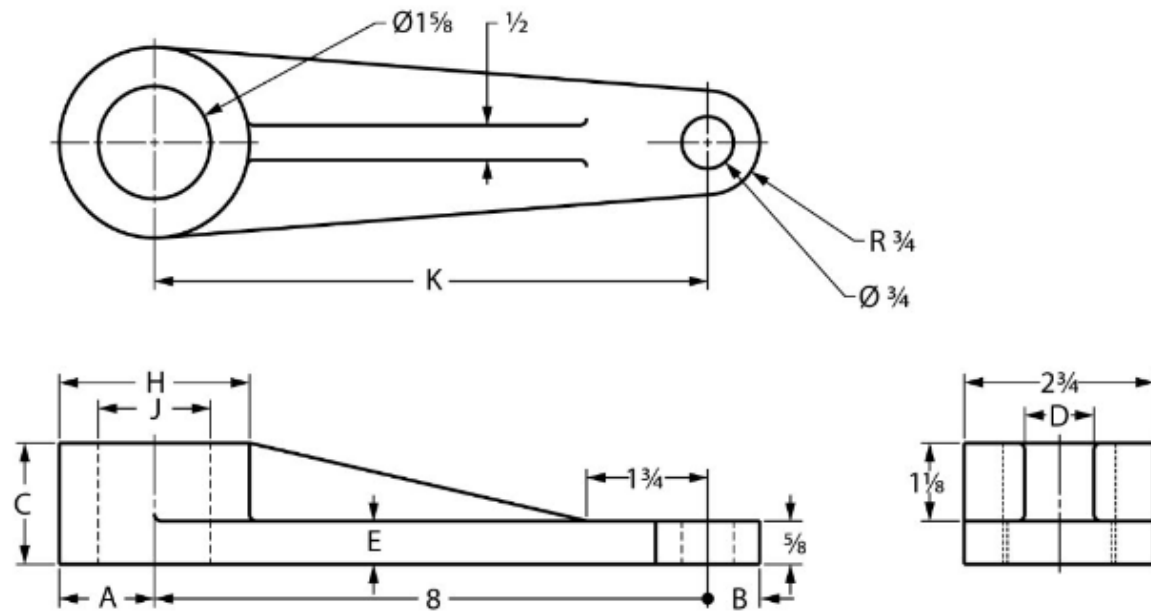
M = _____

D = _____

P = _____

Exercise 3

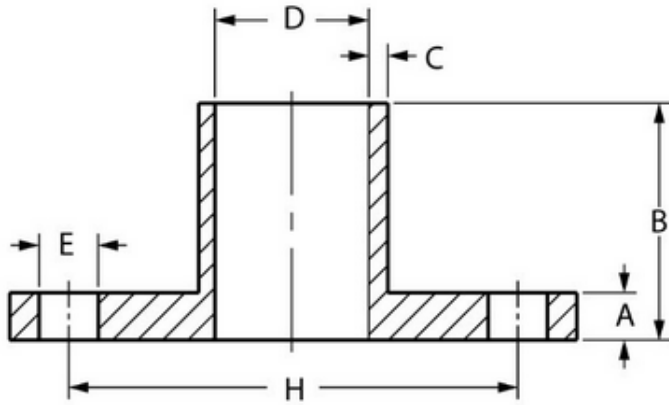
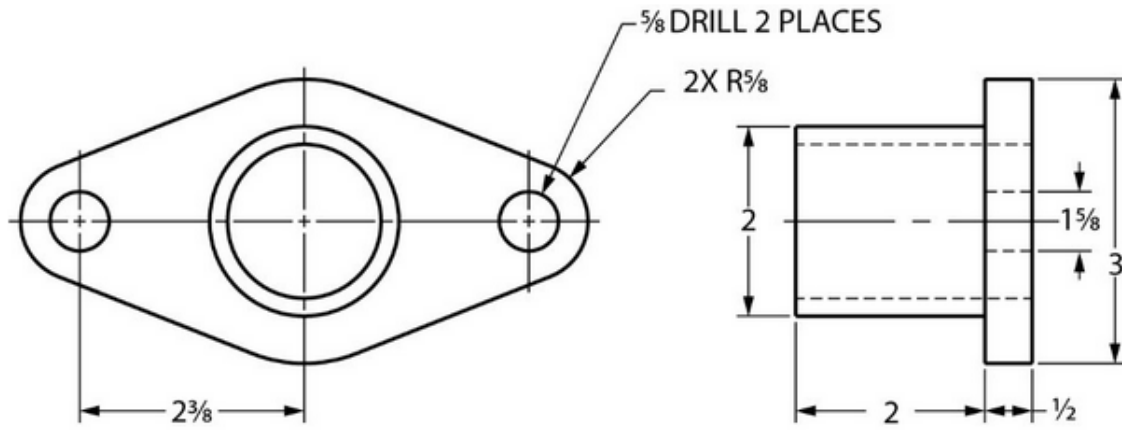
Study the print below and fill in the related dimensions.



A = _____ E = _____
 B = _____ H = _____
 C = _____ J = _____
 D = _____ K = _____

Exercise 4

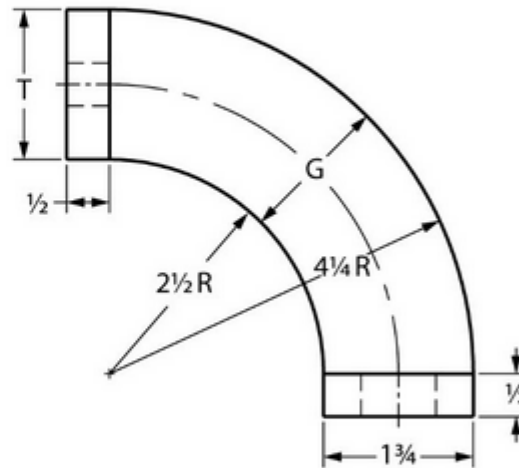
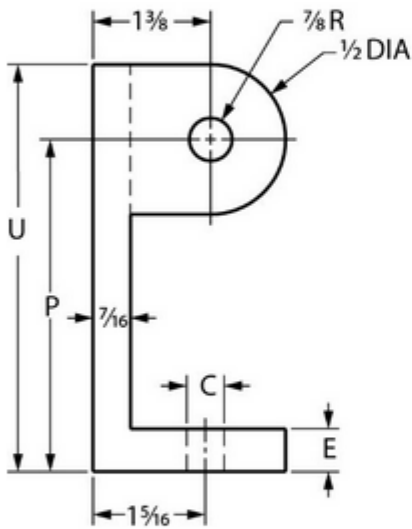
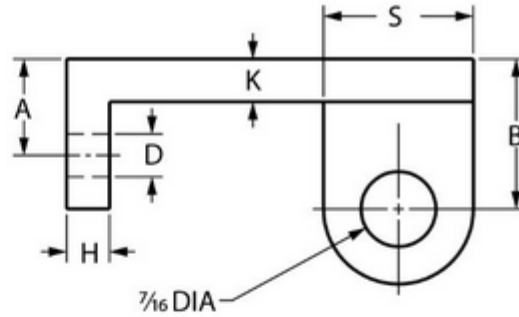
Study the print below and fill in the related dimensions.



A = _____ D = _____
B = _____ E = _____
C = _____ H = _____

Exercise 5

Study the print below and fill in the related dimensions.



A = _____

B = _____

C = _____

D = _____

E = _____

G = _____

H = _____

K = _____

P = _____

S = _____

T = _____

U = _____