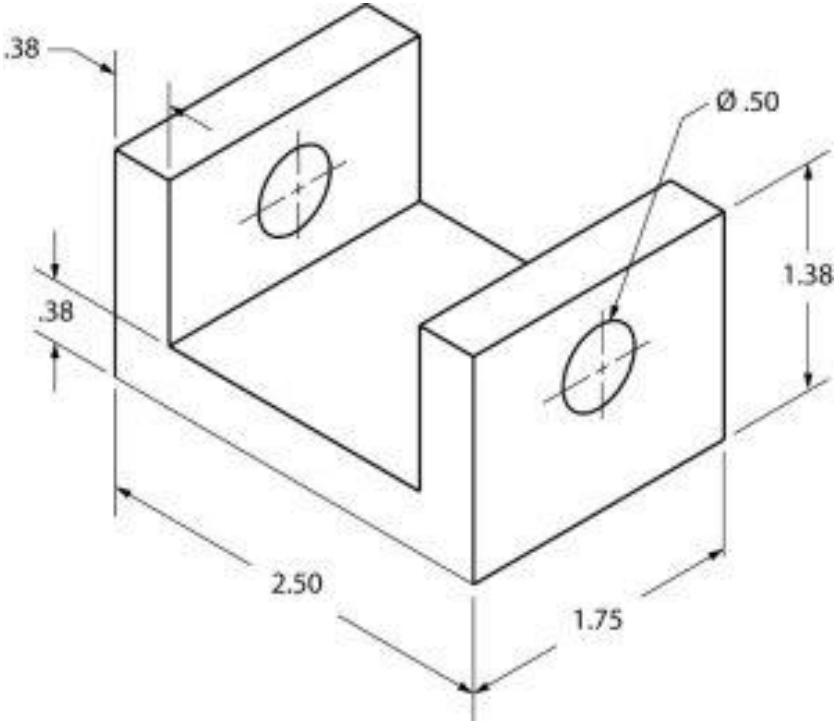


Directions: one a separate piece of paper, make a dimensioned orthographic sketch of this object.



Directions: on a separate piece of paper, make a dimensional orthographic sketch of the object.

