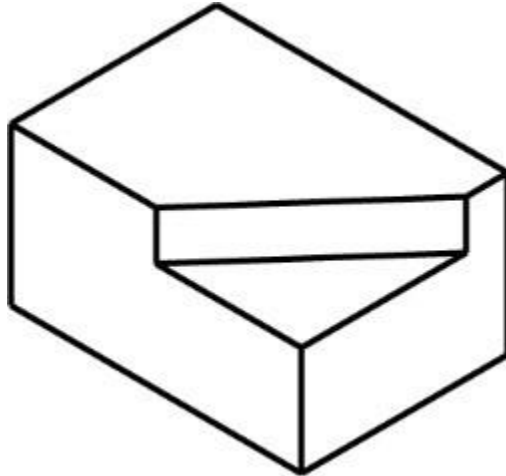


Directions: complete as indicated.

Dimension this drawing. The dimensions are 3" long, 2 1/8" wide, 1 5/8" high with a 45° angle 1/2" deep. The angle begins as the midpoint of the 3" long dimension.



Dimension this drawing. The base is 1/2" x 1 1/2" square. The cylinder is 1"  $\varnothing$ . x 1-1/8" long. The drilled through hole is  $\varnothing$ 5/8".

