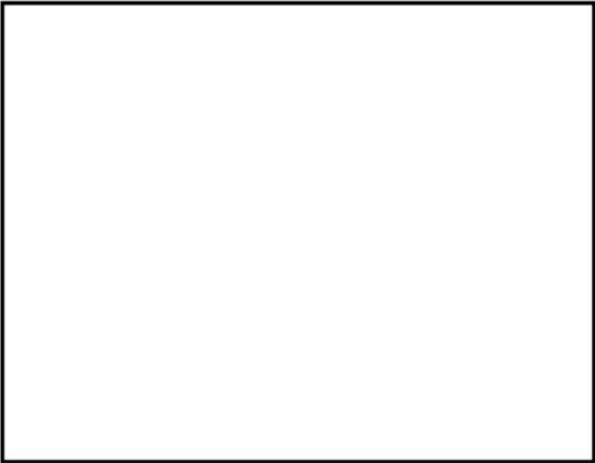
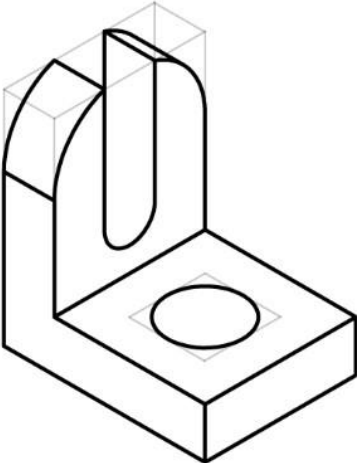
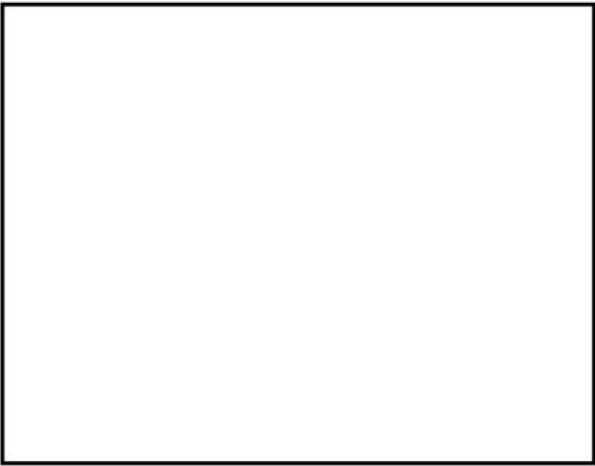
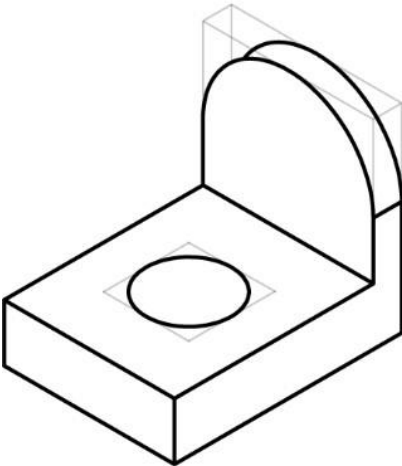
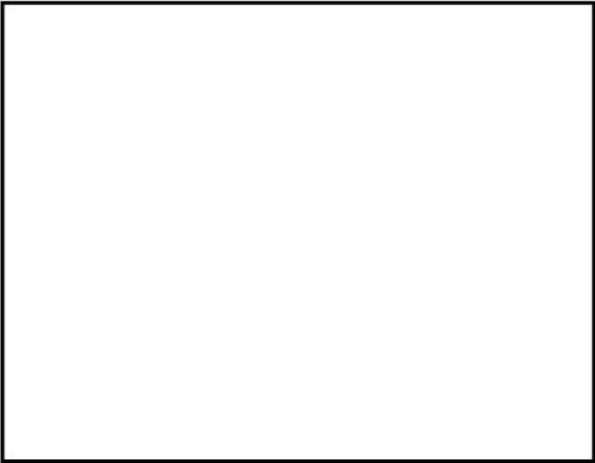
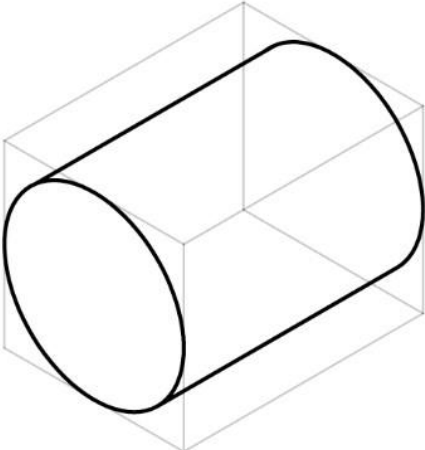


Directions: Sketch isometric drawings into the boxes on the right for each object.



Directions: Sketch isometric drawings into the boxes on the right for each object.

