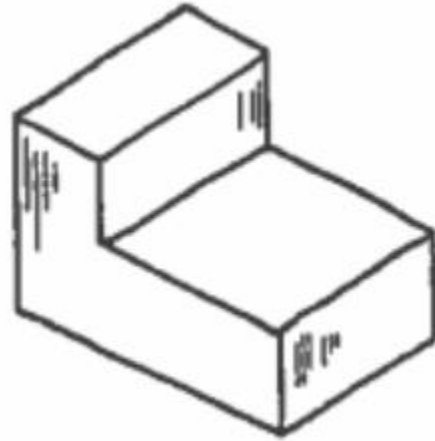


6.4 Isometric Practice Worksheet

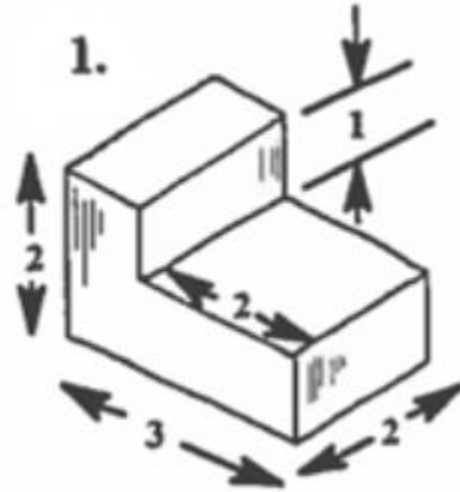
Directions:

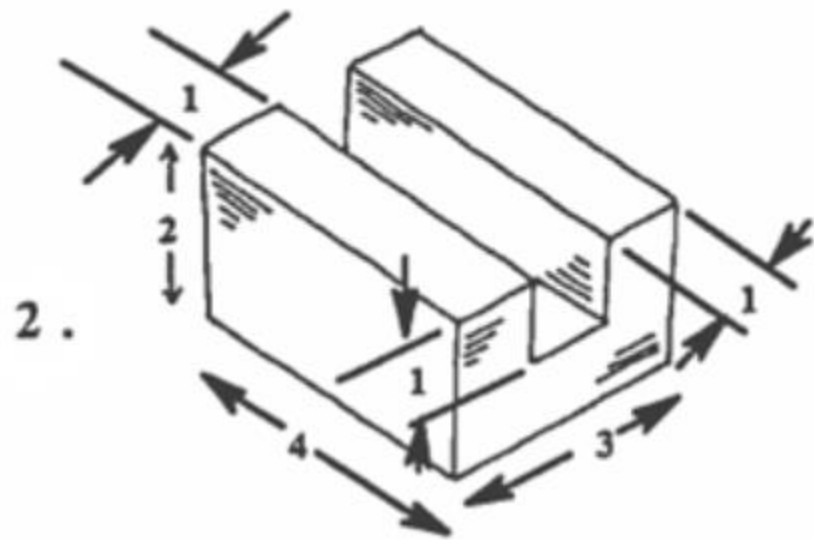
Now make a copy of this drawing in the space below.



Isometric Drawings:

On the next two pages, draw copies of the isometric drawings, using the steps listed online. Also, show: (1) extension lines, (2) dimension lines, (3) dimensions, (4) and shading.





**Directions: Now try the same drawings using a sheet of isometric graph paper.
Use rules to make sure your lines are straight. (It sure is more easier with the little blue lines!)**