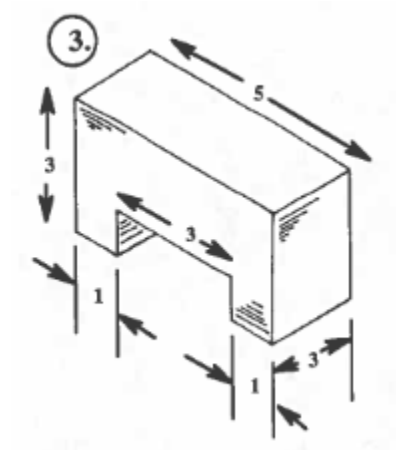


6.3 Orthographic View Drawing Practice Worksheet

Directions:

In the space below, look at drawing No. 3; decide which side to make your front view; then draw the three views of a print.



Now, get a piece of graph paper (quadrille) and draw the three views again. Use two squares on the graph paper for each one unit in the picture.